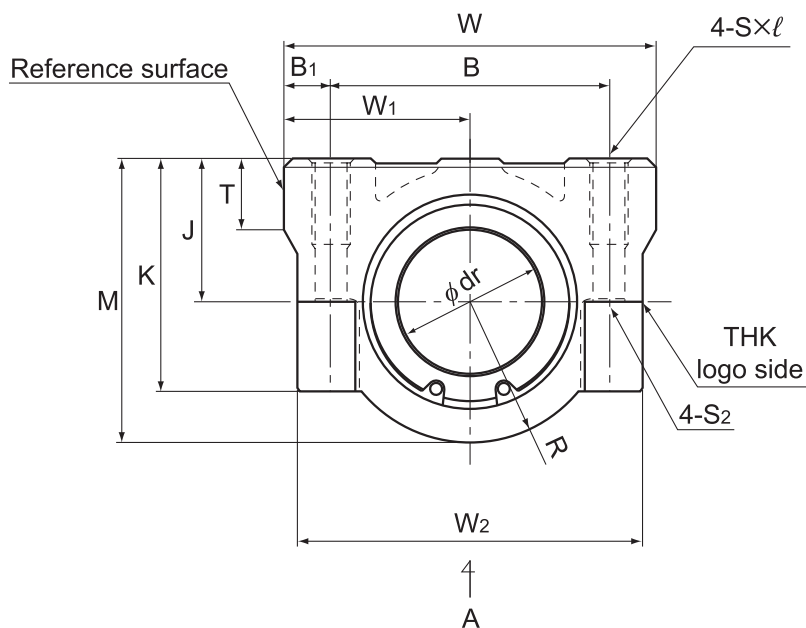


Models SC35 to 50



Models SC35 to 50

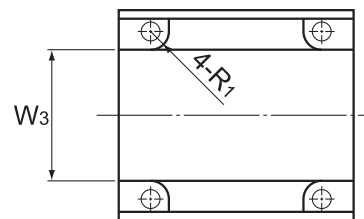
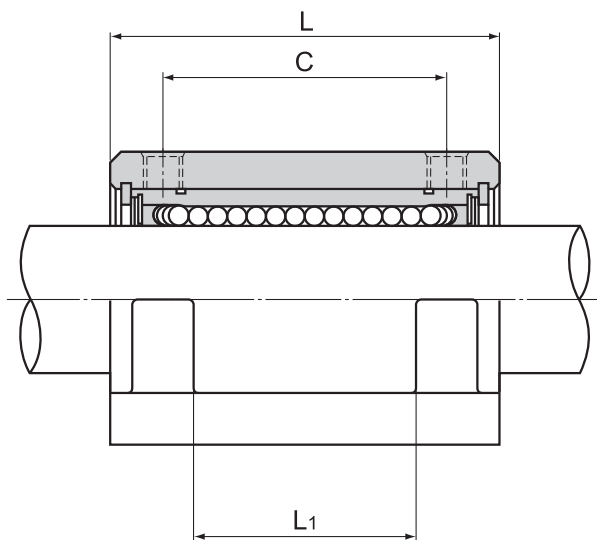
| Model No. | Outer dimensions | | | LM casing dimensions | | | | | | | |
|-----------|------------------|------------|-------------|------------------------|----------------|----|------------|--|-----------------------------|-------------------------|----|
| | Height M | Width W | Length L | Mounting hole position | | | Tap S×ℓ | Through bolt model No, S ₂ | Center height J ±0.02 | W ₁ ±0.02 | K |
| | | | | B | B ₁ | C | | | | | |
| SC 35UU | 68 | 90 | 80 | 70 | 10 | 60 | M8×18 | M6 | 34 | 45 | 54 |
| SC 40UU | 78 | 102 | 90 | 80 | 11 | 60 | M10×25 | M8 | 40 | 51 | 62 |
| SC 50UU | 102 | 122 | 110 | 100 | 11 | 80 | M10×25 | M8 | 52 | 61 | 80 |

Note) Since this model contains a synthetic resin retainer, do not use it at temperature exceeding 80°C.

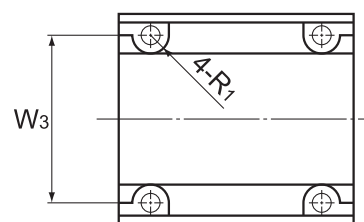
A stainless steel Linear Bushing model LM-MG, which is highly corrosion resistant, can also be incorporated at your request.
(Model SC50 does not include a stainless type.)

Example of Model Number for Use in Combination with
Linear Bushing Units

| Linear Bushing to be combined | Example of model No. | |
|--|----------------------|----------------|
| Both end attached with seal | SC 40UU | Standard stock |
| Without seal | SC 40 | Build to order |
| Made of stainless steel; both end attached with seal | SC 40MUU | Build to order |



A arrow view Model SC35



A arrow view Model SC40 and SC60

Unit: mm

| | | | | | | | | | Model No. of Linear Bushing to be combined | Basic load rating | | Unit |
|----------------|----------------|----------------|----|----|----------------|----|----------------------------|--------|--|----------------------|----------------|------|
| | | | | | | | Inscribed bore diameter | | | C | C ₀ | Mass |
| W ₂ | W ₃ | L ₁ | T | R | R ₁ | dr | Tolerance | N | | N | g | |
| 85 | 60 | 42 | 18 | 34 | 5 | 35 | 0 -0.012 | LM35UU | 1670 | 3140 | 1100 | |
| 96 | 80 | 44 | 20 | 38 | 8 | 40 | | LM40UU | 2160 | 4020 | 1600 | |
| 116 | 100 | 64 | 25 | 50 | 8 | 50 | | LM50UU | 3820 | 7940 | 3350 | |

Note) If an oil hole is required, this can be indicated by appending "OH" to the end of the model number.
For further information, contact THK.