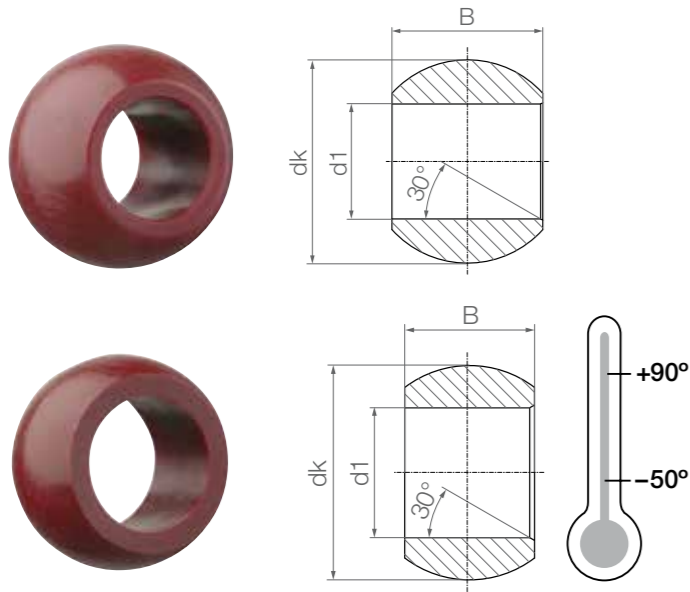


Low-cost spherical balls:
RKM and REM



Order key

Type	Size [mm]	Options
R □ M-08-12		
iglidur® R spherical balls	Dimensional series	Series
	Metric	K = Dimensional K series
	Inner Ø d1 [mm]	E = Dimensional E series
	Width	

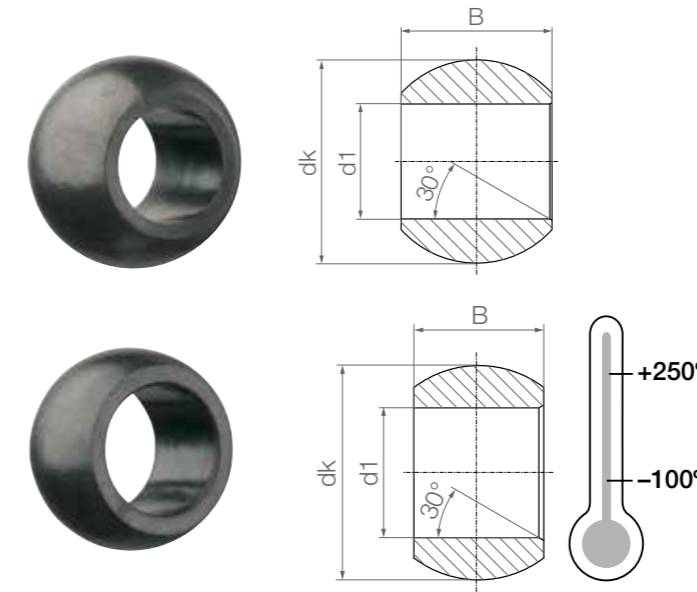
Dimensions [mm]

Part No.	d1 E10	dK	B	Weight [g]
RKM-08-12	8	15.90	12	1.8
RKM-10-14	10	19.00	14	2.9

Dimensions [mm]

Part No.	d1 E10	dK	B	Weight [g]
REM-05-06	5	10.20	6	0.4
REM-06-06	6	10.20	6	0.4
REM-08-08	8	13.20	8	0.8
REM-10-09	10	16.10	9	1.3
REM-12-10	12	18.10	10	1.6

High temperatures spherical balls:
XKM and XEM



Order key

Type	Size [mm]	Options
X □ M-10-14		
iglidur® X spherical balls	Dimensional series	Series
	Metric	K = Dimensional K series
	Inner Ø d1	E = Dimensional E series
	Width	

Dimensions [mm]

Part No.	d1 E10	dK	B	Weight [g]
XKM-10-14	10	19.10	14	2.9

Dimensions [mm]

Part No.	d1 E10	dK	B	Weight [g]
XEM-05-06	5	10.30	6	0.4
XEM-06-06	6	10.20	6	0.4
XEM-08-08	8	13.30	8	0.8
XEM-10-09	10	16.10	9	1.3
XEM-12-10	12	18.10	10	1.6