

Pillow block bearings: KSTM



- Maintenance-free dry operation
- Robust
- Durable in varying loads
- Compensation of misalignment and edge loads
- Resistant to corrosion and chemicals
- Vibration-dampening
- Suitable for rotating, oscillating and linear movements
- Lightweight

Imperial dimensions available  
▶ Page 1609

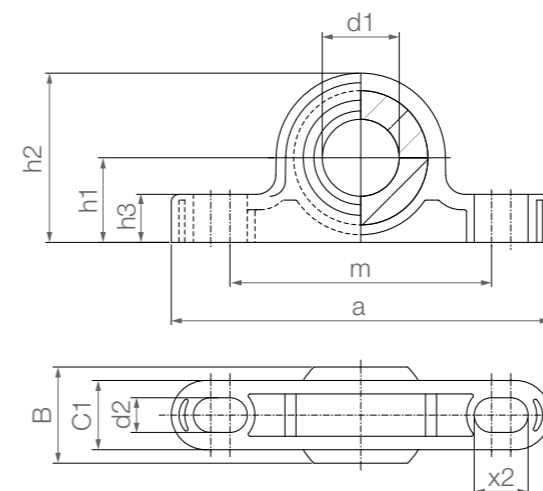
Service life calculation online  
▶ [www.igus.eu/igubal-expert](http://www.igus.eu/igubal-expert)

Technical data

Part No.	Max. static tensile strain		Max. axial static compressive force [N]	Max. tightening torque for longitudinal holes <sup>144)</sup> [Nm]	Weight [g]
	Short-term [N]	Long-term [N]			
KSTM-05	700	350	300	0.6	1.7
KSTM-06	1,100	550	300	1.3	2.9
KSTM-08	1,300	650	400	1.3	4.6
KSTM-10	1,500	750	500	2.5	8.6
KSTM-12	2,200	1,100	600	2.5	11.8
KSTM-14	2,400	1,200	600	4.5	18.4
KSTM-16	3,000	1,500	1,800	4.5	23.7
KSTM-18	3,500	1,750	1,200	10.5	32.2
KSTM-20	4,700	2,350	1,300	10.5	40.0
KSTM-22	6,100	3,050	1,400	10.5	54.0
KSTM-25	6,600	3,300	1,600	10.5	75.3
KSTM-30	8,100	4,050	2,100	21.5	116.8

<sup>144)</sup> To achieve the max. tightening torque, we recommend the use of washers.

Pillow block bearings: KSTM



Order key

Type  Size [mm]

**K S T M - 0 5**

K series	Pillow block bearing	Metric	Inner Ø
----------	----------------------	--------	---------

Material:  
Housing: igumid G ▶ Page 1654  
Spherical ball: iglidur® W300 ▶ Page 171

Dimensions [mm]

Part No.	d1 E10	B	C1	h1	h2	m	a	h3	d2	x2	Max. pivot angle
KSTM-05	5	8	6.0	7	14	25	34	4.0	3.3	4.6	30°
KSTM-06	6	9	7.0	10	18	33	43	5.5	4.5	6.0	29°
KSTM-08	8	12	9.0	10	20	33	47	6.0	4.5	7.0	25°
KSTM-10	10	14	10.5	14	26	46	62	7.5	5.5	8.0	25°
KSTM-12	12	16	12.0	14	28	46	65	8.5	5.5	9.0	25°
KSTM-14	14	19	13.5	18	34	60	82	9.5	6.6	11.0	23°
KSTM-16	16	21	15.0	18	36	60	86	10.5	6.6	12.0	23°
KSTM-18	18	23	16.5	22	42	68	93	11.5	9.0	13.0	23°
KSTM-20	20	25	18.0	22	44	68	98	13.0	9.0	14.0	23°
KSTM-22	22	28	20.0	24	48	74	108	14.0	9.0	16.0	22°
KSTM-25	25	31	22.0	27	54	86	124	16.0	9.0	17.0	22°
KSTM-30	30	37	25.0	32	64	96	139	17.0	11.0	20.0	22°