

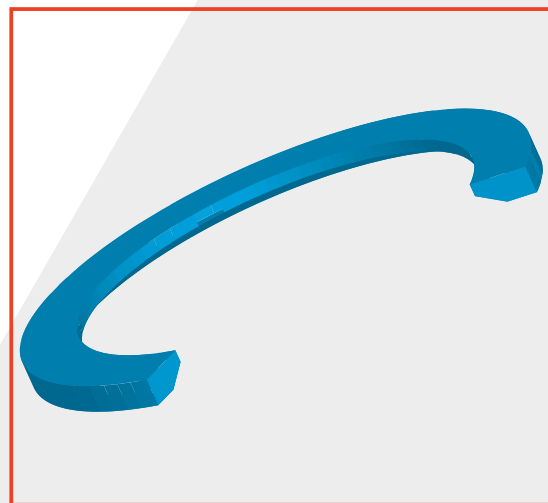
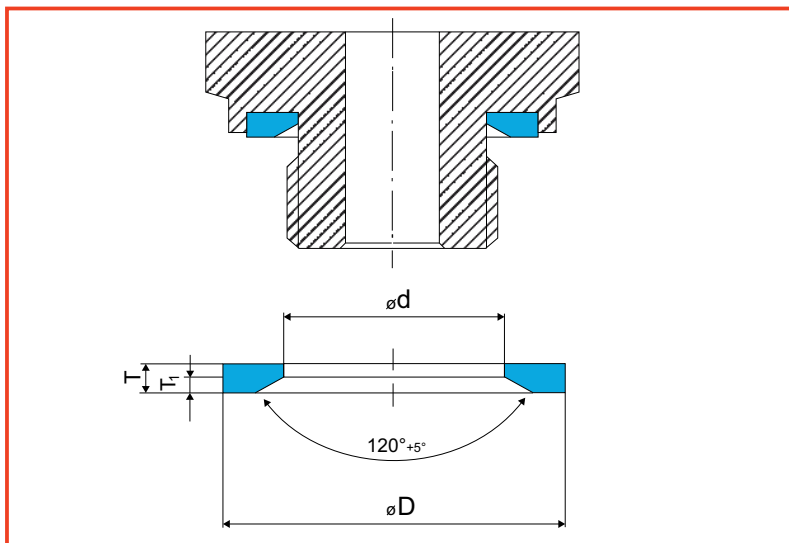


HENNLICH

TĚSNĚNÍ

# SEALING RINGS

## TYPE HTR - DIN 3869



### DESCRIPTION

The HTR sealing rings are profile seals for static sealing of threaded connections in hydraulic circuits (fittings, couplings, plugs, etc.) that comply with DIN3869 and equivalent ISO standards (ISO 9974-2, ISO 1179-2). Due to their shape, the seals deform only minimally in the joint and thus provide a reliable seal for a long time even in high-pressure systems. For proper function, the sealing insert must be made according to DIN 3852 or the relevant ISO equivalent.

### ADVANTAGES

- Minimal section deformation - long life
- Reliable sealing properties
- The shape of the seal prevents it from twisting in the groove
- Dimensionally stable even under high pressure
- Better sealing properties than metal seals

### TECHNICAL PARAMETERS

**Pressure:** max. 600 bar

**Materials:** NBR 85 ShA, black colour, (for temperatures -30 °C to 100 °C)  
PPM 80 ShA, green colour, (for temperatures -20 °C to 200 °C)  
EPDM 85 ShA, purple colour, (for temperatures -40 °C to 110 °C)

**Media:** mineral oil based hydraulic fluids, heavy duty fluids, environmentally friendly hydraulic oils, water, and others depending on the material used.

### NOTE:

The above parameters are maximum values and should not occur simultaneously in the application. The type of media also affects the above parameters. The function and reliability of the HTR seal is affected by correct installation and proper installation.

### ORDERING EXAMPLE:

Sealing Ring HTR-14 NBR.... 10 pcs.

HTR sealing rings - Size chart						
Dimension	Screw		Inner diameter d1 (mm)	Outer diameter D (mm)	Width	
	Metric	Inch			L (mm)	L1 (mm)
8	M 8 x 1.0		6,5	9,9	1,0	0,5
10	M 10 x 1.0	G 1/8 A	8,4	11,9	1,0	0,5
12	M 12 x 1.5		9,8	14,4	1,5	0,8
14	M 14 x 1.5	G 1/4 A	11,6	16,5	1,5	0,8
16	M 16 x 1.5		13,8	18,9	1,5	0,8
17		G 3/8 A	14,7	18,9	1,5	0,8
18	M 18 x 1.5		15,7	20,9	1,5	0,8
20	M 20 x 1.5		17,8	22,9	1,5	0,8
21		G 1/2 A	18,5	23,9	1,5	0,8
22	M 22 x 1.5		19,6	24,3	1,5	0,8
24	M 24 x 1.5		21,8	26,9	1,5	0,8
27	M 26 x 1.5	G 3/4 A	23,9	29,2	1,5	0,8
27	M 27 x 2.0	G 3/4 A	23,9	29,2	1,5	0,8
30	M 30 x 1.5		27,7	32,7	2,0	0,8
33	M 33 x 2.0	G 1 A	29,7	35,7	2,0	1,0
42	M 42 x 2.0	G 1 1/4 A	38,8	45,8	2,0	1,0
48	M 48 x 2.0	G 1 1/2 A	44,7	50,7	2,0	1,0
60	M 60 x 2.0	G 2 A	56,5	66,5	4,0	2,0