



E2 R

e-tubes for swarf protection at higher speeds and smooth running



Advantages of the E2 R series:

- Strong e-tubes with small pitch for low noise, smooth running
- High level of protection against swarf (including hot swarf)
- Lids removable along the outer radius
- Robust and sealed
- Space-efficient with optimised ratio of inner to outer dimensions



When to use another e-tube:

- When a particularly cost-effective solution is required
 - ▶ R2.1 e-tubes, page 442
- When no swarf protection is required ▶ E2/000 e-chains®, page 374
- For extremely swarf-resistant e-tubes ▶ RX system, page 516
- When even higher strength is required ▶ R4.1L e-tubes, page 538



Attachment from any side: with KMA mounting brackets

Swarf protection: smooth, swarf-resistant exterior

Fast assembly: lids removable along the outer radius

High strength: large pin/bore and crossbar with high locking force

Smooth running: small pitch for low-noise, smooth running

Strong: double stop-dog system for long unsupported lengths


Swarf protection at higher speeds and smooth running - E2 R e-tubes


E2 R e-tubes - small pitch for higher speeds and smooth motion. igus® e-tubes work in hot swarf areas, in areas of dirt and dust generated by woodworking, steel mills, pulp and paper, textile, agriculture, coal plant and many other hostile environments.


- High level of protection against swarf (including hot swarf)
- Robust and sealed
- Space-efficient with optimised ratio of inner to outer dimensions
- Modular interior separation
- Universal KMA mounting brackets with attachment options from any side

Typical industries and applications

- Machine tools ● Wood processing machines
- General mechanical engineering ● In all areas with dirt and swarf

 e-tubes with igumid HT material for hot swarf up to +850°C available upon request

 Electrically conductive ESD e-tubes upon request

 UL94-V0 classification upon request

 **iF product design award**
1987 igus® series R68

| Series | Inner height <i>hi</i> [mm] | Inner width <i>Bi</i> [mm] | Outer width <i>Ba</i> [mm] | Outer height <i>ha</i> [mm] | Bend radius <i>R</i> [mm] | Unsupported length ≤ [m] | Page |
|--------|--------------------------------|-------------------------------|-------------------------------|--------------------------------|------------------------------|--------------------------|------|
| R48 | 25 | 25 - 130 | 36 - 141 | 36 | 060 - 250 | 1.50 | 498 |
| R58 | 35 | 50 - 200 | 66 - 216 | 50 | 075 - 250 | 2.30 | 504 |
| R68 | 45 | 50 - 250 | 68 - 268 | 64 | 100 - 300 | 2.50 | 510 |



E2 R e-tubes - lids removable along the outer radius

 Available from stock. Ready to ship in 48 - 72hrs.*
*Average time before the ordered goods are dispatched.



E2 e-tubes in swarf area of a machine tool. With igumid HT material resistant to swarf up to +850°C

Technical data

| | | |
|--|--|--|
| | Speed gliding ¹⁾ / acceleration gliding ¹⁾ | ≤ 3 [m/s] / ≤ 10 [m/s ²] |
| | Speed FL_G / acceleration FL_G | ≤ 10 [m/s] / ≤ 100 [m/s ²] |
| | Speed FL_B / acceleration FL_B | ≤ 3 [m/s] / ≤ 6 [m/s ²] |
| | Material - permitted temperature °C, igumid G | -40°C / +120°C |
| | Flammability class, igumid G | VDE 0304 IIC UL94-HB |

■ FL_G = unsupported with straight upper run ■ FL_B = unsupported with permitted sag

1) Gliding applications for long travels are available upon request, please consult igus®.

Installation types, maximum travels

| Series | Unsupported | Gliding ¹⁾ | Vertical hanging | Vertical standing | Side mounted unsupported | Zig-zag | Unsupported lower run |
|--------|-------------|-----------------------|------------------|-------------------|--------------------------|--------------|-----------------------|
| R48 | ≤ 3.00m | ≤ 50m | ≤ 50m | ≤ 4.0m | ≤ 1.5m | upon request | upon request |
| R58 | ≤ 4.50m | ≤ 75m | ≤ 50m | ≤ 4.0m | ≤ 2.0m | upon request | upon request |
| R68 | ≤ 5.00m | ≤ 100m | ≤ 60m | ≤ 4.0m | ≤ 2.0m | upon request | upon request |

1) For gliding applications, please consult igus®.

Options with order keys | Examples based on series R58

| Standard | NC version - (No Camber) without pretension | e-tube - no burning-in of hot swarf up to 850°C | ESD - electrically conductive material |
|-------------------------------|---|---|--|
| Part No. Standard | Part No. NC version | Part No. igumid HT | Part No. igumid ESD |
| | | | |
| 58.100.R.0 | 58.100.R.0.NC | 58.100.R.0.HT | 58.100.R.0.ESD |
| | | | |
| Ready to ship in 48 - 72hrs.* | Ready to ship in 5 business days* | Ready to ship in 6 weeks* | Ready to ship in 12 business days* |

*Average time before the ordered goods are dispatched.

Order example | Order key and colour examples | Examples based on series R58

Order example for complete e-tube (1.0m), colour black, with mounting brackets and interior separation:

| | | |
|---------------------|--|---------------------|
| e-tube (1.0m) | Please indicate e-tube length or number of links: 1.0m or 28 links | 58.100.100.0 |
| + Mounting brackets | KMA - 1 set | 580.100.12 |
| Interior separation | with 2 separators assembled every 2 nd link | 2 x 582 |
| Order text: | 1m 58.100.100.0 + 580.100.12 + 2 x 582 | |

Order key

Lids removable along the outer radius

58.100.100.0

Series / Type

Width index (depends on B)

Bend radius R

Colour index (standard black)

Order index for colour options

| Colour | Order index | Colour | Order index |
|-------------|--------------------|------------|--------------------|
| Black | Standard .0 | Orange | Special colour .2 |
| Silver-grey | Special colour .31 | Yellow | Special colour .4 |
| White | Special colour .1 | Light grey | Special colour .14 |
| Grey-white | Special colour .1S | | |

Black e-chains® ready to ship in 48 - 72hrs.*
Above special colours upon request.

Protection against dirt and debris, small pitch for smooth motion



e-tubes | Series R48 | Lids removable along the outer radius

| Part No. | Bi | Ba | R Available bend radii | R48 |
|------------|------|------|---|--------|
| e-tubes | [mm] | [mm] | [mm] | [kg/m] |
| 48.025.R.0 | 25 | 36 | 060 075 100 125 150 175 200 250 | ≈ 0.64 |
| 48.050.R.0 | 50 | 61 | 060 075 100 125 150 175 200 250 | ≈ 0.84 |
| 48.075.R.0 | 75 | 86 | 060 075 100 125 150 175 200 250 | ≈ 1.03 |
| 48.100.R.0 | 100 | 111 | 060 075 100 125 150 175 200 250 | ≈ 1.23 |
| 48.130.R.0 | 130 | 141 | 060 075 100 125 150 175 200 250 | ≈ 1.46 |

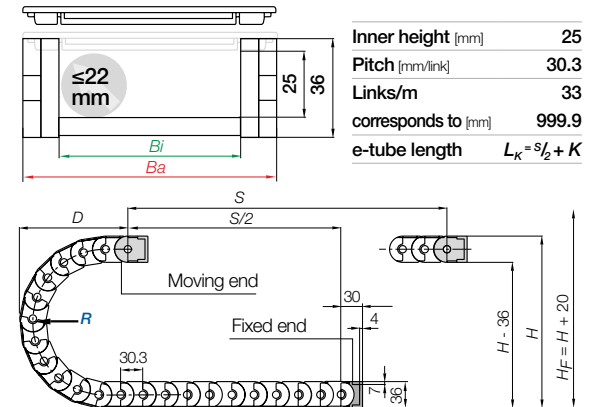
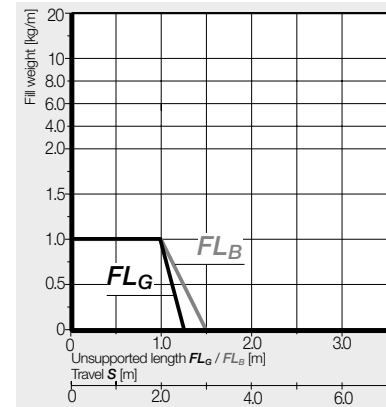
Complete Part No. with required radius (R). Example: 48.100.100.0

Hot swarf up to +850°C for e-tubes

- e-tubes can repel swarf up to +850°C. Special production option with the igus® material igumid HT
 - No hot swarf melting or embedding into the chain
- More information ► www.igus.eu/HT



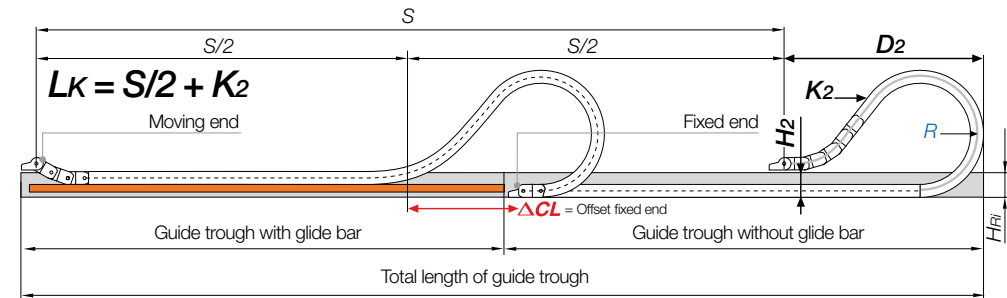
Unsupported applications | Short travels



| R | 060 | 075 | 100 | 125 | 150 | 175 | 200 | 250 |
|---|-----|-----|-----|-----|-----|-----|-----|-----|
| H | 156 | 186 | 236 | 286 | 336 | 386 | 436 | 536 |
| D | 123 | 138 | 163 | 188 | 213 | 238 | 263 | 313 |
| K | 250 | 300 | 375 | 455 | 535 | 615 | 690 | 850 |

The required clearance height: $H_F = H + 20\text{mm}$ (with 0.5kg/m fill weight)

Gliding applications | For travel lengths from 5m to max. 50m



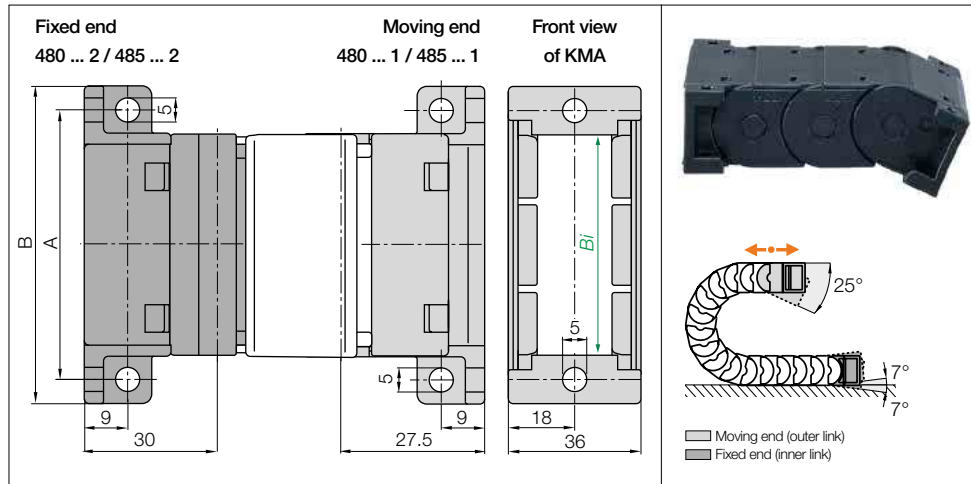
Note: We recommend the project planning of such a system to be carried out by igus®.

In case of travels between 2 and 5m we recommend an e-tube with a longer unsupported length.

If a gliding application is required for a long travel, please consult igus®.

| R | 060 | 075 | 100 | 125 | 150 | 175 | 200 | 250 |
|----------------|-----|-----|-----|-----|-----|-------|-------|-----|
| H ₂ | 156 | 186 | 176 | 176 | 176 | 176 | 176 | * |
| D ₂ | 110 | 125 | 330 | 450 | 610 | 730 | 690 | * |
| K ₂ | 250 | 300 | 545 | 758 | 970 | 1,151 | 1,182 | * |
| ΔCL | - | - | 170 | 270 | 380 | 470 | * | * |

*Values upon request



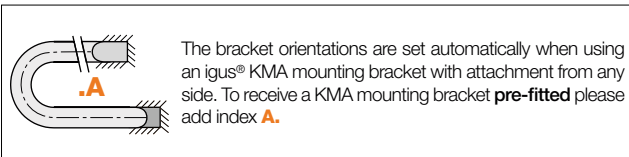
KMA pivoting | Recommended for unsupported applications
KMA locking | Recommended for vertical hanging and standing applications

| Width index | Part no. full set KMA pivoting | Part No. full set KMA locking | A [mm] | B [mm] | Bi [mm] |
|-------------|--|---|-----------|-----------|------------|
| 025. ▶ | 480.025.12 | 485.025.12 | 45 | 55 | 25 |
| 050. ▶ | 480.050.12 | 485.050.12 | 70 | 80 | 50 |
| 075. ▶ | 480.075.12 | 485.075.12 | 95 | 105 | 75 |
| 100. ▶ | 480.100.12 | 485.100.12 | 120 | 130 | 100 |
| 130. ▶ | 480.130.12 | 485.130.12 | 150 | 160 | 130 |

(KMA = polymer metal mounting bracket)

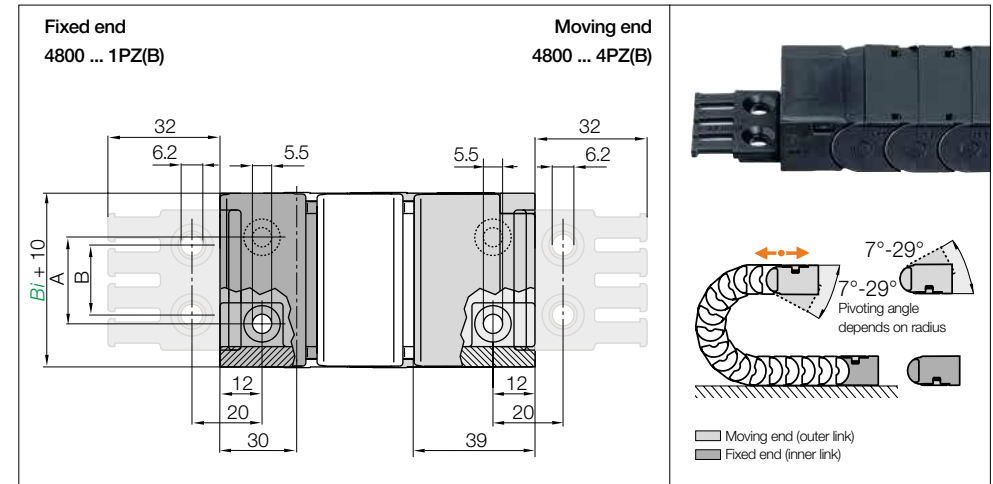
The following parts are required for attachment of the mounting brackets:

● Socket head cap bolt M5 DIN 912-8.8 Length depends on the thickness of the attachment base ● Washer 5.3 DIN 125-ST ● Hexagon nut M5 DIN 934-8



480.100.12.A Order example
 Pre-assembled
 Full set
 Width index
 Series

Strain relief e.g. clamps, tiwrap plates, nuggets and clips are available from stock. The complete chainfix range with ordering options ▶ From page 1392

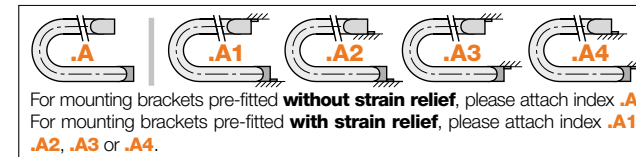


Angled polymer bracket | One end pivoting
 Recommended for unsupported applications

| Width index | Part No. full set with tiwrap plates | Part No. full set without tiwrap plates | A [mm] | B [mm] | Number of teeth |
|-------------|--|---|-----------|-----------|-----------------|
| 025. ▶ | 4800.025.12PZB | 4800.025.12 | 12 | 15 | 3 |
| 050. ▶ | 4800.050.12PZB | 4800.050.12 | 37 | 30 | 5 |
| 075. ▶ | 4800.075.12PZB | 4800.075.12 | 62 | 60 | 8 |
| 100. ▶ | 4800.100.12PZB | 4800.100.12 | 87 | 80 | 10 |
| 130. ▶ | - | 4800.130.12 | 117 | - | - |

The following parts are required for attachment of the mounting brackets:

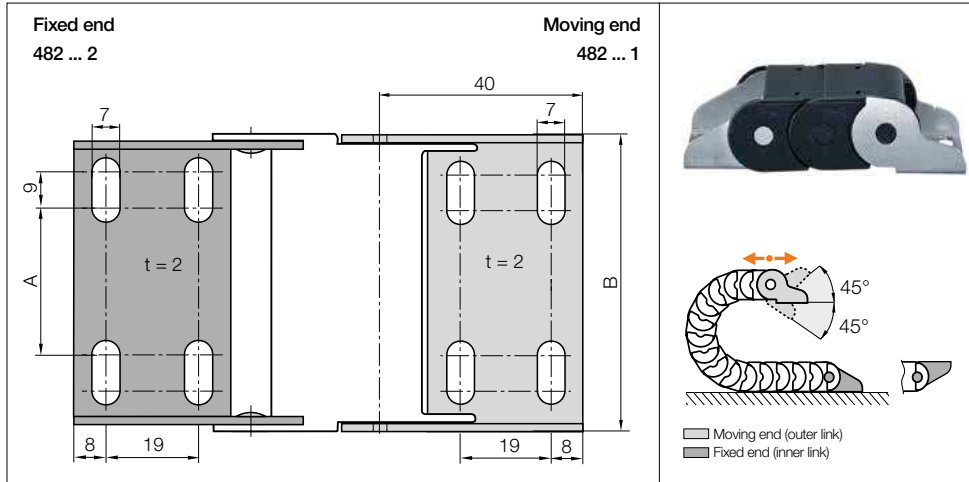
● Socket head cap bolt M5 DIN 912-8.8 Length depends on the thickness of the attachment base ● Hexagon nut M5 DIN 7991 ● Washer 5.3 DIN 125-ST



4800.100.12PZB.A2 Order example
 .A... to indicate option with brackets pre-fitted with integrated strain relief tiwrap plates
 Full set
 Width index
 Series

Strain relief e.g. clamps, tiwrap plates, nuggets and clips are available from stock. The complete chainfix range with ordering options ▶ From page 1392

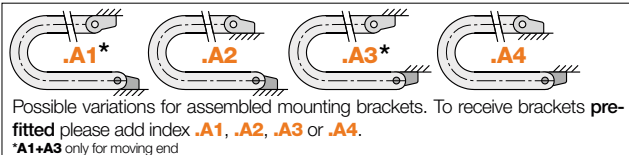
Steel mounting brackets | One end pivoting



Steel mounting brackets | One end pivoting

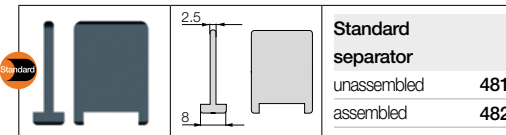
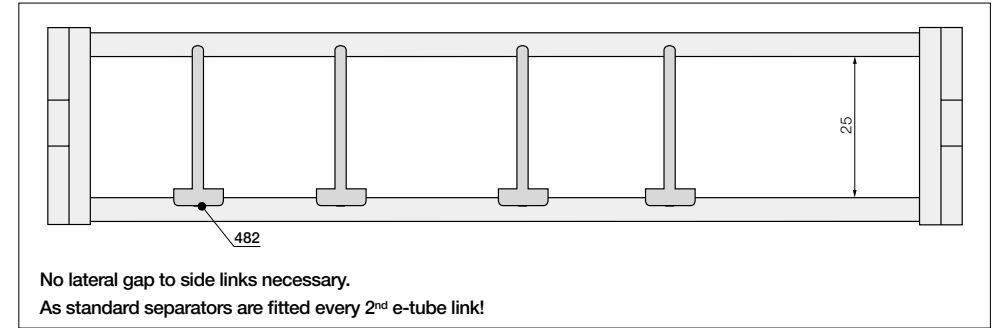
Recommended for unsupported, vertical hanging, standing applications

| Width index | Part No. full set | A [mm] | B [mm] |
|-------------|--------------------------------|--------|--------|
| | Steel one end pivoting: | | |
| 025. ▶ | 482.025 .12 | – | 35 |
| 050. ▶ | 482.050 .12 | 22 | 60 |
| 075. ▶ | 482.075 .12 | 47 | 85 |
| 100. ▶ | 482.100 .12 | 72 | 110 |
| 130. ▶ | 482.130 .12 | 102 | 140 |



Strain relief e.g. clamps, tiwrap plates, nuggets and clips are available from stock. The complete chainfix range with ordering options ▶ From page 1392

Interior separation



Standard separator
 For simple vertical subdivision. Offers security due to its wide base design, also when used with large cables or hoses.

Separator with integrated strain relief teeth

- Can be integrated into the mounting bracket or placed at any point
 - Combines strain relief and interior separation, for restricted space conditions
 - Strain relief separator is easy to assemble without any screws
- Part No. 481.ZR - more information ▶ From page 1424



Protection against dirt and debris, small pitch for smooth motion

35



e-tubes | Series R58 | Lids removable along the outer radius

| Part No. e-tubes | <i>B_i</i> [mm] | <i>B_a</i> [mm] | <i>R</i> Available bend radii [mm] | R58 [kg/m] |
|---------------------|------------------------------|------------------------------|---------------------------------------|---------------|
| 58.050. <i>R</i> .0 | 50 | 66 | 075 100 125 150 200 250 | ≈ 1.50 |
| 58.075. <i>R</i> .0 | 75 | 91 | 075 100 125 150 200 250 | ≈ 1.77 |
| 58.100. <i>R</i> .0 | 100 | 116 | 075 100 125 150 200 250 | ≈ 2.04 |
| 58.125. <i>R</i> .0 | 125 | 141 | 075 100 125 150 200 250 | ≈ 2.31 |
| 58.150. <i>R</i> .0 | 150 | 166 | 075 100 125 150 200 250 | ≈ 2.61 |
| 58.175. <i>R</i> .0 | 175 | 191 | 075 100 125 150 200 250 | ≈ 2.88 |
| 58.200. <i>R</i> .0 | 200 | 216 | 075 100 125 150 200 250 | ≈ 3.15 |

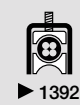
Complete Part No. with required radius (*R*). Example: 58.100.100.0

Hot swarf up to +850°C for e-tubes

- e-tubes can repel swarf up to +850°C. Special production option with the igus® material igamid HT
 - No hot swarf melting or embedding into the chain
- More information ► www.igus.eu/HT



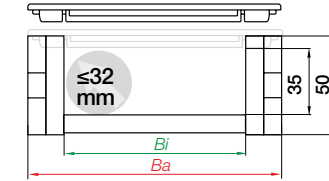
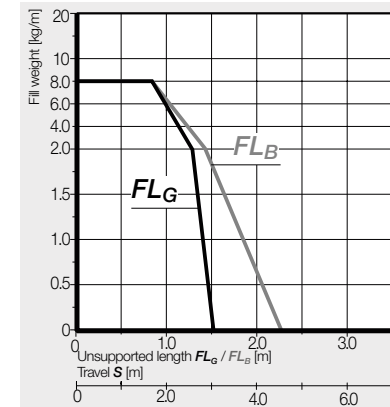
Unsupported applications | Short travels



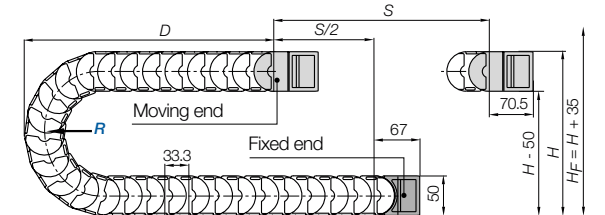
▶ 1392



▶ 1318



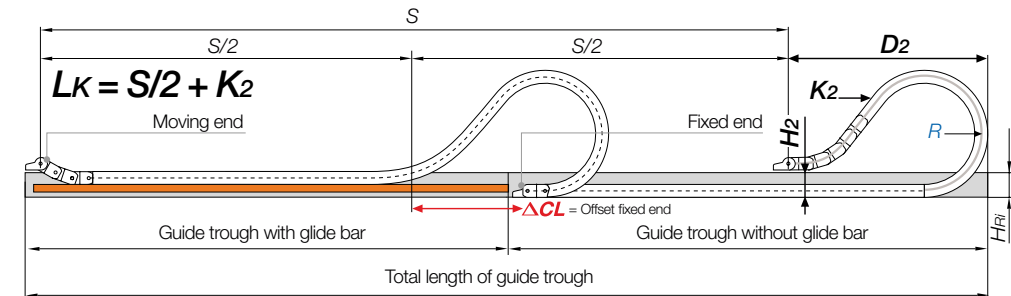
| | |
|---------------------|-----------------|
| Inner height [mm] | 35 |
| Pitch [mm/link] | 33.3 |
| Links/m | 30 |
| corresponds to [mm] | 999 |
| e-tube length | $L_K = S/2 + K$ |



| | | | | | | |
|----------|-----|-----|-----|-----|-----|-----|
| <i>R</i> | 075 | 100 | 125 | 150 | 200 | 250 |
| <i>H</i> | 200 | 250 | 300 | 350 | 450 | 550 |
| <i>D</i> | 150 | 175 | 200 | 225 | 275 | 325 |
| <i>K</i> | 305 | 385 | 460 | 540 | 695 | 855 |

The required clearance height: $H_F = H + 35\text{mm}$ (with 0.5kg/m fill weight)

Gliding applications | For travel lengths from 5m to max. 75m

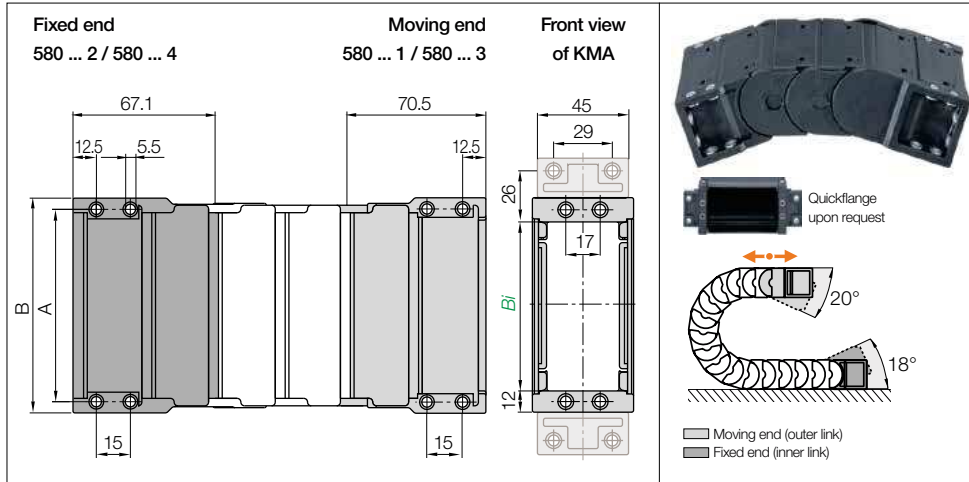
**Note:** We recommend the project planning of such a system to be carried out by igus®.

In case of travels between 3 and 5m we recommend an e-tube with a longer unsupported length.

If a gliding application is required for a long travel, please consult igus®.

| | | | | | | |
|----------------------|-----|-----|-----|-----|-------|-------|
| <i>R</i> | 075 | 100 | 125 | 150 | 200 | 250 |
| <i>H₂</i> | 150 | 166 | 166 | 166 | 166 | 166 |
| <i>D₂</i> | 150 | 310 | 380 | 480 | 800 | 1,050 |
| <i>K₂</i> | 375 | 500 | 699 | 866 | 1,265 | 1,665 |
| ΔCL | * | 122 | 167 | 247 | 512 | 717 |

*Upon request



KMA pivoting | Recommended for unsupported applications
KMA locking | Recommended for vertical hanging and standing applications

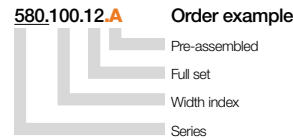
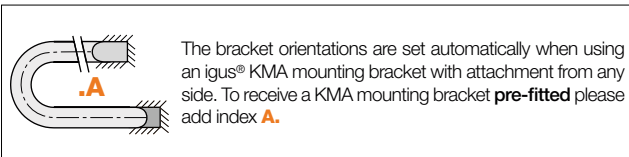
| Width index | Part no. full set KMA pivoting | Part No. full set KMA locking | A [mm] | B [mm] | Bi [mm] |
|-------------|---------------------------------------|--------------------------------------|--------|--------|---------|
| 050. ▶ | 580.050.12 | 580.050.34 | 62 | 74 | 50 |
| 075. ▶ | 580.075.12 | 580.075.34 | 87 | 99 | 75 |
| 100. ▶ | 580.100.12 | 580.100.34 | 112 | 124 | 100 |
| 125. ▶ | 580.125.12 | 580.125.34 | 137 | 149 | 125 |
| 150. ▶ | 580.150.12 | 580.150.34 | 162 | 174 | 150 |
| 175. ▶ | 580.175.12 | 580.175.34 | 187 | 199 | 175 |
| 200. ▶ | 580.200.12 | 580.200.34 | 212 | 224 | 200 |

(KMA = polymer metal mounting bracket)

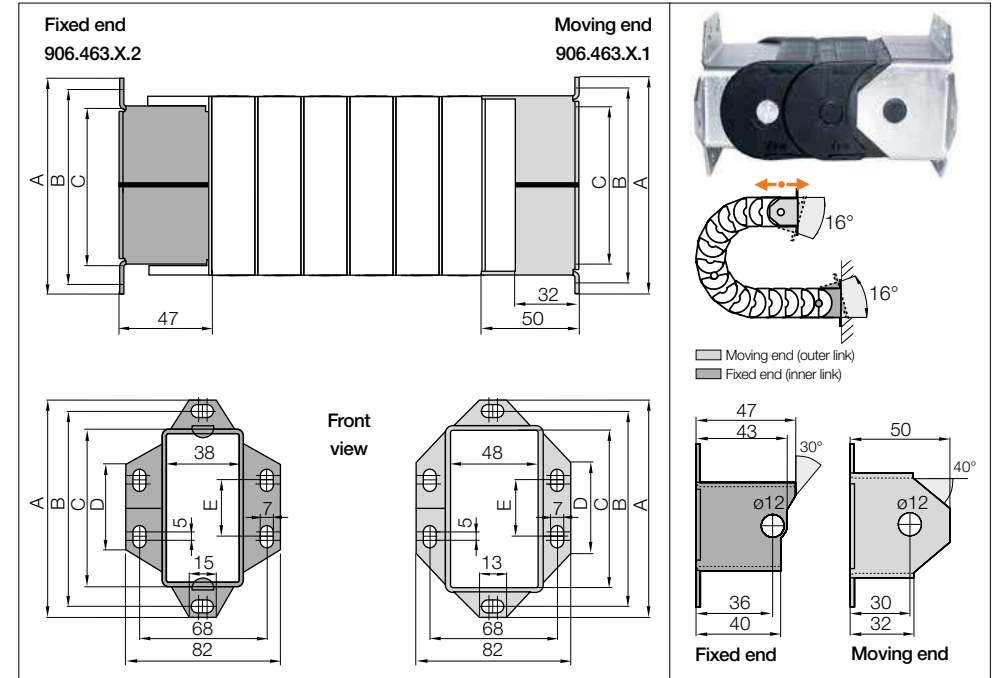
The following parts are required for attachment of the mounting brackets:

- Socket head cap bolt M5 DIN 912-8.8 Length depends on the thickness of the attachment base
- Washer 5.3 DIN 125-ST
- Hexagon nut M5 DIN 934-8

To receive full sets with pre-fitted quickflange please add index QF ▶ For example: Part No. 580.100.12.QF. Unassembled quickflange: Part No. 16800.QF



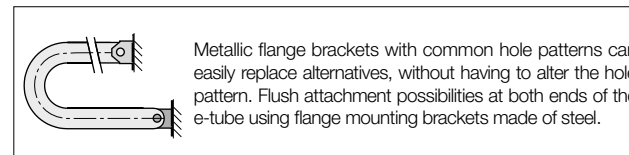
Strain relief e.g. clamps, tiewrap plates, nuggets and clips are available from stock. The complete chainfix range with ordering options ▶ From page 1392



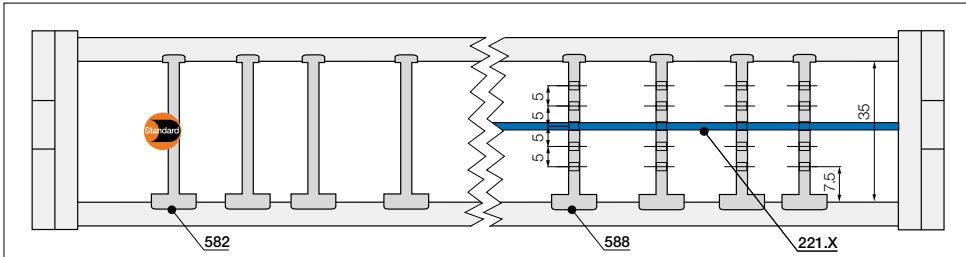
Steel flange, pivoting | Recommended for unsupported applications

| Width index | Hole pattern | Part No. Moving end | Bi [mm] | A [mm] | B [mm] | C [mm] | D [mm] | E [mm] |
|-------------|--------------|---------------------|---------|--------|--------|--------|--------|--------|
| 050. ▶ | 58.05 | 906.463.05.1 | 50 | 90.5 | 78.5 | 58.3 | 24.5 | 20 |
| 075. ▶ | 58.1 | 906.463.1.1 | 75 | 116 | 104 | 83.3 | 50 | 30 |

| Width index | Hole pattern | Part No. Fixed end | Bi [mm] | A [mm] | B [mm] | C [mm] | D [mm] | E [mm] |
|-------------|--------------|--------------------|---------|--------|--------|--------|--------|--------|
| 050. ▶ | 58.05 | 906.463.05.2 | 50 | 90.5 | 78.5 | 57.5 | 28 | 20 |
| 075. ▶ | 58.1 | 906.463.1.2 | 75 | 116 | 104 | 82.5 | 45 | 30 |



Strain relief e.g. clamps, tiewrap plates, nuggets and clips are available from stock. The complete chainfix range with ordering options ▶ From page 1392



No lateral gap to side links necessary.
As standard separators are fitted every 2nd e-tube link!

Standard separator

| | |
|-------------|-----|
| unassembled | 581 |
| assembled | 582 |

Option 1 | Separators
Standard separator

For simple vertical subdivision. Offers security due to its wide base design, also when used with large cables or hoses.

Slotted separator

| | |
|-------------|-----|
| unassembled | 587 |
| assembled | 588 |

Option 2 | Full-width shelves
Slotted separator

Vertical separation. The slot allows basic vertical and horizontal shelving arrangements.

Full-width shelf for e-tubes

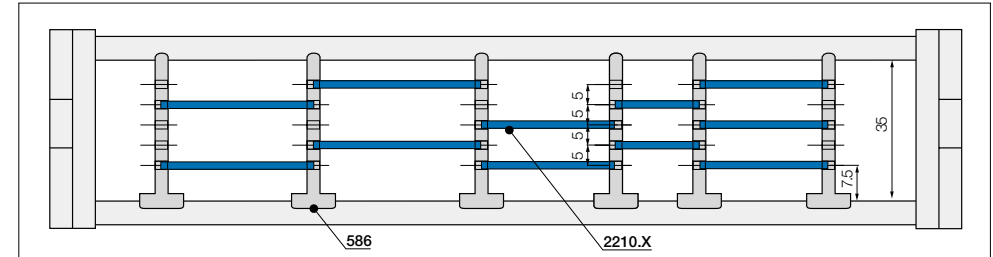
| | |
|-------------|-------|
| unassembled | 220.X |
| assembled | 221.X |

Full-width shelf

This option is for applications with many small cables with similar diameters. For full-width separation.

Full-width shelves
Width = X [mm]

| X [mm] | unassembled | assembled | X [mm] | unassembled | assembled | X [mm] | unassembled | assembled |
|--------|-------------|-----------|--------|-------------|-----------|--------|-------------|-----------|
| 050 | 220.50 | 221.50 | 125 | 220.125 | 221.125 | 200 | 220.200 | 221.200 |
| 075 | 220.75 | 221.75 | 150 | 220.150 | 221.150 | | | |
| 100 | 220.100 | 221.100 | 175 | 220.175 | 221.175 | | | |



No lateral gap to side links necessary.
As standard separators are fitted every 2nd e-tube link!

Slotted separator

| | |
|-------------|-----|
| unassembled | 585 |
| assembled | 586 |

Option 3 | Partial shelves
Slotted separator

Allows modular shelving arrangements.

Shelf for e-tubes

| | |
|-------------|--------|
| unassembled | 2200.X |
| assembled | 2210.X |

Shelf

For applications involving many cables with different diameters, shelves can be fitted at different heights.

Shelves
Width = X [mm]

| X [mm] | unassembled | assembled | X [mm] | unassembled | assembled | X [mm] | unassembled | assembled |
|--------|-------------|-----------|--------|-------------|-----------|--------|-------------|-----------|
| 018 | 2200.18 | 2210.18 | 043 | 2200.43 | 2210.43 | 088 | 2200.88 | 2210.88 |
| 023 | 2200.23 | 2210.23 | 048 | 2200.48 | 2210.48 | 099 | 2200.99 | 2210.99 |
| 028 | 2200.28 | 2210.28 | 058 | 2200.58 | 2210.58 | 124 | 2200.124 | 2210.124 |
| 033 | 2200.33 | 2210.33 | 068 | 2200.68 | 2210.68 | 149 | 2200.149 | 2210.149 |
| 038 | 2200.38 | 2210.38 | 073 | 2200.73 | 2210.73 | | | |

Protection against dirt and debris, small pitch for smooth motion

45



... R68

e-tubes | Series R68 | Lids removable along the outer radius

| Part No. | Bi | Ba | R Available bend radii | | | | | | | | | | R68 | | |
|------------|------|------|------------------------|------|------|------|------|------|------|------|------|------|------|------|--------|
| e-tubes | [mm] | [mm] | [mm] | [mm] | [mm] | [mm] | [mm] | [mm] | [mm] | [mm] | [mm] | [mm] | [mm] | [mm] | [kg/m] |
| 68.050.R.0 | 50 | 68 | 100 | 125 | 150 | 175 | 200 | 225 | 250 | 300 | | | | | ≈ 1.90 |
| 68.075.R.0 | 75 | 93 | 100 | 125 | 150 | 175 | 200 | 225 | 250 | 300 | | | | | ≈ 2.18 |
| 68.100.R.0 | 100 | 118 | 100 | 125 | 150 | 175 | 200 | 225 | 250 | 300 | | | | | ≈ 2.46 |
| 68.115.R.0 | 115 | 133 | 100 | 125 | 150 | 175 | 200 | 225 | 250 | 300 | | | | | ≈ 2.63 |
| 68.125.R.0 | 125 | 143 | 100 | 125 | 150 | 175 | 200 | 225 | 250 | 300 | | | | | ≈ 2.77 |
| 68.150.R.0 | 150 | 168 | 100 | 125 | 150 | 175 | 200 | 225 | 250 | 300 | | | | | ≈ 3.05 |
| 68.175.R.0 | 175 | 193 | 100 | 125 | 150 | 175 | 200 | 225 | 250 | 300 | | | | | ≈ 3.36 |
| 68.200.R.0 | 200 | 218 | 100 | 125 | 150 | 175 | 200 | 225 | 250 | 300 | | | | | ≈ 3.64 |
| 68.225.R.0 | 225 | 243 | 100 | 125 | 150 | 175 | 200 | 225 | 250 | 300 | | | | | ≈ 3.92 |
| 68.250.R.0 | 250 | 268 | 100 | 125 | 150 | 175 | 200 | 225 | 250 | 300 | | | | | ≈ 4.23 |

Complete Part No. with required radius (R). Example: 68.100.100.0

Hot swarf up to +850°C for e-tubes

- e-tubes can repel swarf up to +850°C. Special production option with the igus® material igumid HT
 - No hot swarf melting or embedding into the chain
- More information ► www.igus.eu/HT

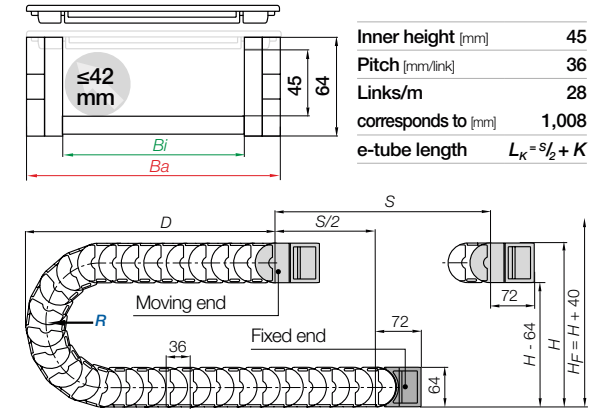
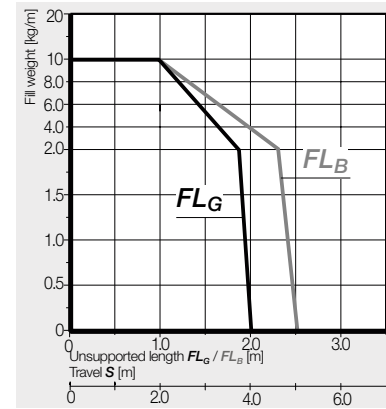


CFU strain relief with innovative honeycomb design

- Fast filling, openable from both sides for assembly in seconds
 - Flexible honeycomb design for increased holding force
 - Tribologically optimised honeycomb design for the best hold
 - Universal use, compact, space-saving design
- More information ► Page 1422



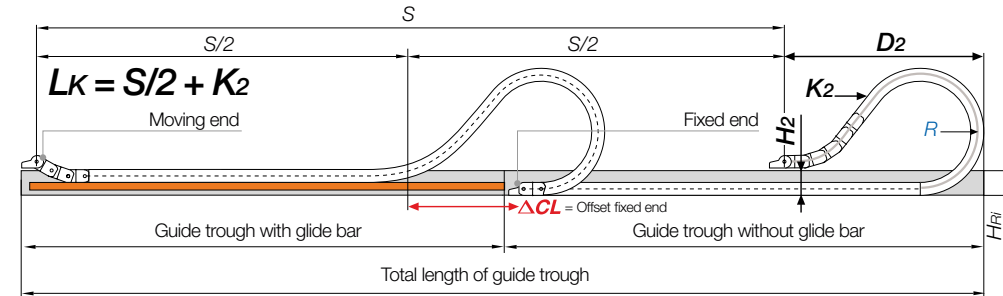
Unsupported applications | Short travels



| R | 100 | 125 | 150 | 175 | 200 | 225 | 250 | 300 |
|---|-----|-----|-----|-----|-----|-----|-----|-------|
| H | 264 | 314 | 364 | 414 | 464 | 514 | 564 | 664 |
| D | 186 | 211 | 236 | 261 | 286 | 311 | 336 | 386 |
| K | 390 | 465 | 545 | 625 | 705 | 780 | 860 | 1,015 |

The required clearance height: $H_f = H + 40\text{mm}$ (with 2.5kg/m fill weight)

Gliding applications | For travel lengths from 6m to max. 100m



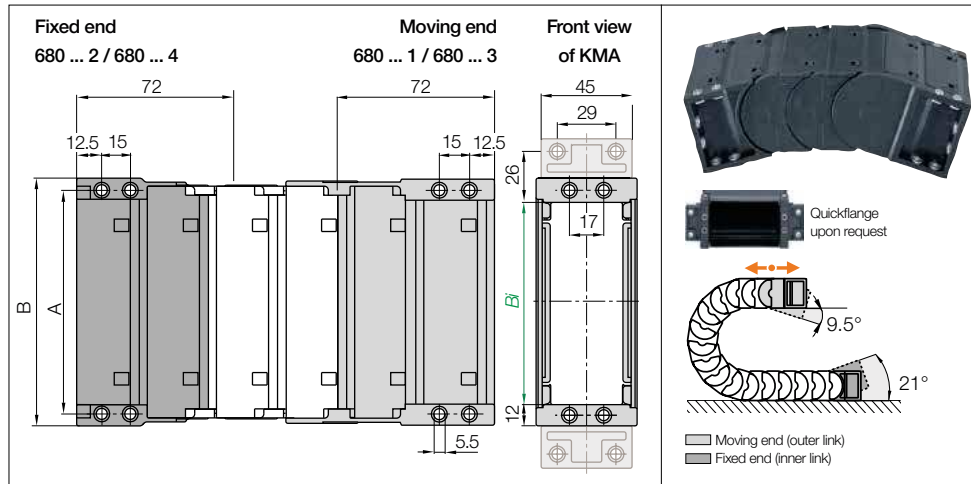
Note: We recommend the project planning of such a system to be carried out by igus®.

In case of travels between 4 and 6m we recommend an e-tube with a longer unsupported length.

If a gliding application is required for a long travel, please consult igus®.

| R | 100 | 125 | 150 | 175 | 200 | 225 | 250 | 300 |
|----------------|-----|-----|-----|-----|-------|-------|-------|-------|
| H ₂ | 201 | 220 | 220 | 220 | 220 | 220 | 220 | 220 |
| D ₂ | 200 | 370 | 440 | 540 | 650 | 700 | 850 | 1,050 |
| K ₂ | 500 | 648 | 792 | 900 | 1,116 | 1,269 | 1,476 | 1,800 |
| ΔCL | * | 164 | 204 | 294 | 364 | 439 | 514 | 664 |

*Upon request



KMA pivoting | Recommended for unsupported applications
KMA locking | Recommended for vertical hanging and standing applications

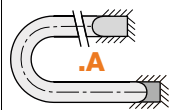
| Width index | Part no. full set KMA pivoting | Part No. full set KMA locking | A [mm] | B [mm] | Bi [mm] |
|-------------|--|---|-----------|-----------|------------|
| 050. ▶ | 680.050.12 | 680.050.34 | 62 | 74 | 50 |
| 075. ▶ | 680.075.12 | 680.075.34 | 87 | 99 | 75 |
| 100. ▶ | 680.100.12 | 680.100.34 | 112 | 124 | 100 |
| 115. ▶ | 680.115.12 | 680.115.34 | 127 | 139 | 115 |
| 125. ▶ | 680.125.12 | 680.125.34 | 137 | 149 | 125 |
| 150. ▶ | 680.150.12 | 680.150.34 | 162 | 174 | 150 |
| 175. ▶ | 680.175.12 | 680.175.34 | 187 | 199 | 175 |
| 200. ▶ | 680.200.12 | 680.200.34 | 212 | 224 | 200 |
| 225. ▶ | 680.225.12 | 680.225.34 | 237 | 249 | 225 |
| 250. ▶ | 680.250.12 | 680.250.34 | 262 | 274 | 250 |

(KMA = polymer metal mounting bracket)

The following parts are required for attachment of the mounting brackets:

● Socket head cap bolt M5 DIN 912-8.8 Length depends on the thickness of the attachment base ● Washer 5.3 DIN 125-ST ● Hexagon nut M5 DIN 934-8

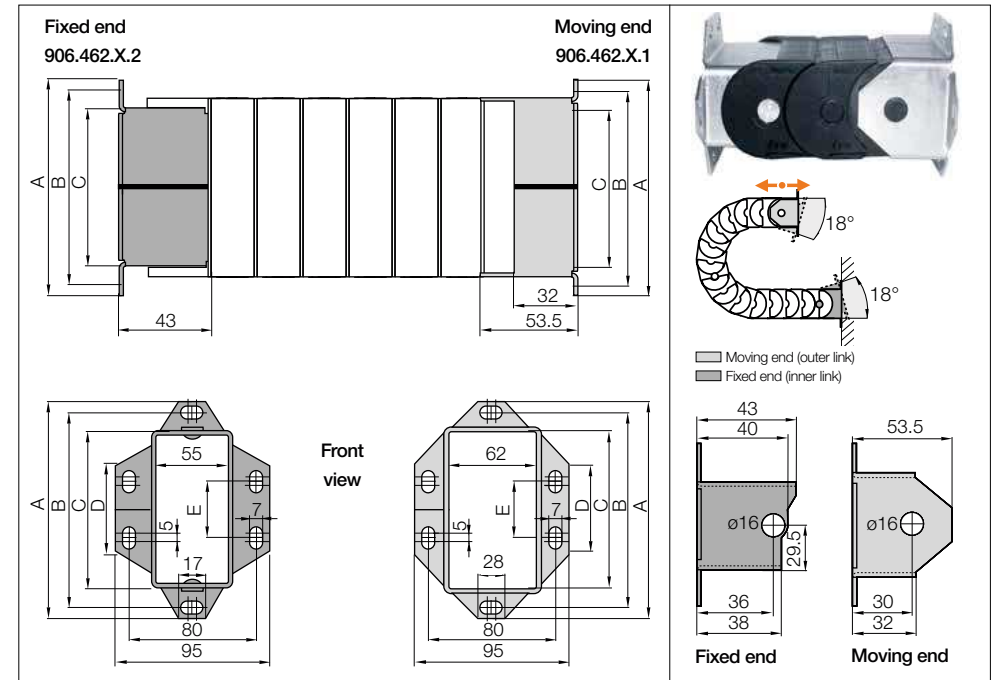
To receive full sets with pre-fitted quickflange please add index QF ▶ For example: Part No. 680.100.12.QF. Unassembled quickflange: Part No. 16800.QF



The bracket orientations are set automatically when using an igus® KMA mounting bracket with attachment from any side. To receive a KMA mounting bracket **pre-fitted** please add index **A**.

680.100.12.A Order example

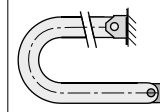
- Pre-assembled
- Full set
- Width index
- Series



Steel flange, pivoting | Recommended for unsupported applications

| Width index | Hole pattern | Part No. Moving end | Bi [mm] | A [mm] | B [mm] | C [mm] | D [mm] | E [mm] |
|-------------|--------------|---------------------|------------|-----------|-----------|-----------|-----------|-----------|
| 075. ▶ | 68.1 | 906.462.1.1 | 75 | 116 | 104 | 83.3 | 50 | 30 |
| 115. ▶ | 68.2 | 906.462.2.1 | 115 | 156 | 144 | 123.3 | 90 | 50 |
| 175. ▶ | 68.3 | 906.462.3.1 | 175 | 216 | 204 | 183.3 | 150 | 100 |

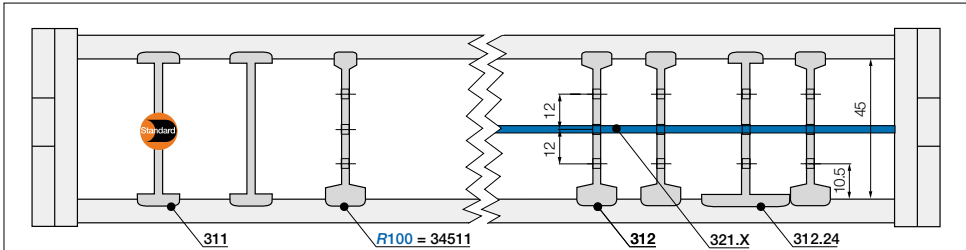
| Width index | Hole pattern | Part No. Fixed end | Bi [mm] | A [mm] | B [mm] | C [mm] | D [mm] | E [mm] |
|-------------|--------------|--------------------|------------|-----------|-----------|-----------|-----------|-----------|
| 075. ▶ | 68.1 | 906.462.1.2 | 75 | 116 | 104 | 83.4 | 38 | 30 |
| 115. ▶ | 68.2 | 906.462.2.2 | 115 | 156 | 144 | 123.4 | 78 | 50 |
| 175. ▶ | 68.3 | 906.462.3.2 | 175 | 216 | 204 | 183.4 | 138 | 100 |



Metallic flange brackets with common hole patterns can easily replace alternatives, without having to alter the hole pattern. Flush attachment possibilities at both ends of the e-tube using flange mounting brackets made of steel.

Strain relief e.g. clamps, tiwrap plates, nuggets and clips are available from stock. The complete chainfix range with ordering options ▶ From page 1392

Strain relief e.g. clamps, tiwrap plates, nuggets and clips are available from stock. The complete chainfix range with ordering options ▶ From page 1392



No lateral gap to side links necessary.
As standard separators are fitted every 2nd e-tube link!

| | | | |
|--|--|-----------------------------------|--------------|
| | | Standard separator | |
| | | unassembled | 301 |
| | | assembled | 311 |
| | | Separator for radius R 100 | |
| | | unassembled | 34501 |
| | | assembled | 34511 |

Option 1 | Separators
Standard separator

For simple vertical subdivision. Offers security due to its wide base design, also when used with large cables or hoses.

Not suitable for bend radius R 100!

Separator for radius R 100

If you select bend radius R 100 please use this separator for a vertical subdivision.

| | | | |
|--|--|--------------------------------------|---------------|
| | | Slotted separator | |
| | | unassembled | 302 |
| | | assembled | 312 |
| | | Standard separator, wide base | |
| | | unassembled | 302.24 |
| | | assembled | 312.24 |
| | | Full-width shelf for e-tubes | |
| | | unassembled | 320.X |
| | | assembled | 321.X |

Option 2 | Full-width shelves
Slotted separator

Vertical separation. The slot allows basic vertical and horizontal shelving arrangements.

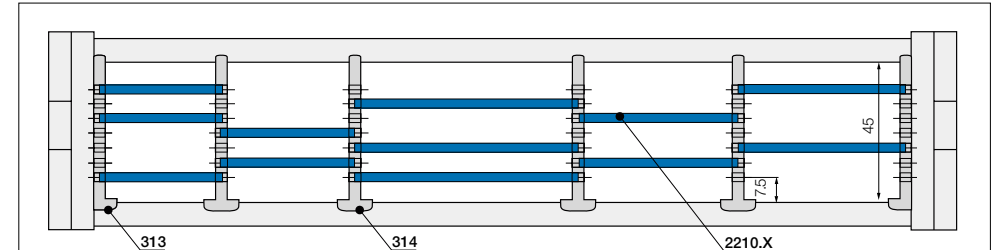
Slotted separator, wide base

If a wide space between the separators has to be kept or separators have to be fixed in their position.

Full-width shelf

This option is for applications with many small cables with similar diameters. For full-width separation.

| Full-width shelves Width = X [mm] | X [mm] | unassembled | assembled | X [mm] | unassembled | assembled | X [mm] | unassembled | assembled |
|--------------------------------------|--------|-------------|-----------|---------|-------------|-----------|---------|-------------|-----------|
| | | 050 | 320.050 | 321.050 | 150 | 320.150 | 321.150 | 250 | 320.250 |
| | 075 | 320.075 | 321.075 | 175 | 320.175 | 321.175 | | | |
| | 115 | 320.115 | 321.115 | 200 | 320.200 | 321.200 | | | |
| | 125 | 320.125 | 321.125 | 225 | 320.225 | 321.225 | | | |



No lateral gap to side links necessary.
As standard separators are fitted every 2nd e-tube link!

| | | | |
|--|--|---------------------------|---------------|
| | | Slotted separator | |
| | | unassembled | 304 |
| | | assembled | 314 |
| | | Slotted side plate | |
| | | unassembled | 303 |
| | | assembled | 313 |
| | | Shelf for e-tubes | |
| | | unassembled | 2200.X |
| | | assembled | 2210.X |

Option 3 | Partial shelves
Slotted separator

Allows modular shelving arrangements.

Slotted side plate

Allows modular shelving right up to the side links. No clearance required!

Shelf

For applications involving many cables with different diameters, shelves can be fitted at different heights.

| Shelves Width = X [mm] | X [mm] | unassembled | assembled | X [mm] | unassembled | assembled | X [mm] | unassembled | assembled |
|---------------------------|--------|-------------|-----------|---------|-------------|-----------|---------|-------------|-----------|
| | | 018 | 2200.18 | 2210.18 | 043 | 2200.43 | 2210.43 | 088 | 2200.88 |
| | 023 | 2200.23 | 2210.23 | 048 | 2200.48 | 2210.48 | 099 | 2200.99 | 2210.99 |
| | 028 | 2200.28 | 2210.28 | 058 | 2200.58 | 2210.58 | 124 | 2200.124 | 2210.124 |
| | 033 | 2200.33 | 2210.33 | 068 | 2200.68 | 2210.68 | 149 | 2200.149 | 2210.149 |
| | 038 | 2200.38 | 2210.38 | 073 | 2200.73 | 2210.73 | | | |