

BBS/DNF

THREE-WAY-BALL VALVE WITH FLANGES

DN 15-100 | PN 10-40

MATERIALS

Werkstoffe	PN	DN	
Body	10-40	15-20	Steel
		25-100	Ductile iron
Ball	10-40	15-20	Brass, hard chromed
		25-100	Ductile iron, hard chromed
Dichtungen	10-40	15-100	PTFE

INFORMATION

3-Way-Ball Valve with flanges

/// Construction with Zero-Position

/// Flange dimensions DIN 2501 Blatt 1

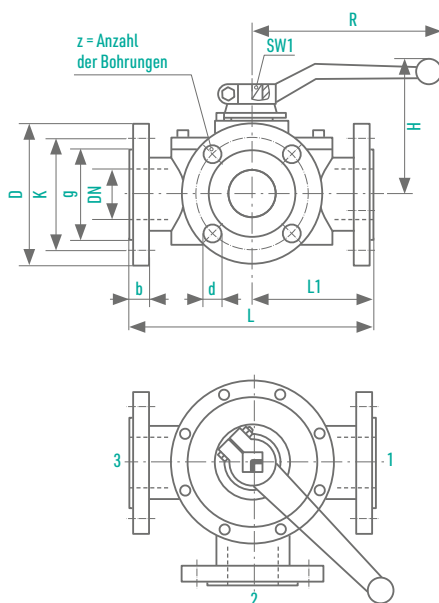
/// The lever is included

OPTIONS

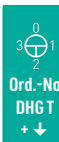
/// Other shapes of flange sealing surfaces on request.

/// Special designs on request

Please state Order-No. & Version
DNF L XXX.XXX

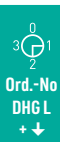


Sche-
me T



Ord.-No
DHGT
+ ↓

Sche-
me L



Ord.-No
DHGL
+ ↓

DN [mm]	PN [bar]	L [mm]	L1 [mm]	D [mm]	g [mm]	K [mm]	b [mm]	z [mm]	d [mm]	H [mm]	R [mm]	SW1 [mm]	Wght [mm]	Ord.-No DHGT + ↓	Ord.-No DHGL + ↓
15	16	170	85	95	45	65	16	4	14	90	205	16	7,8	016015	016015
20	16	195	97,5	105	58	75	18	4	14	85	300	16	9,8	016020	016020
25	16	220	110	115	68	85	18	4	14	95	350	22	12,5	016025	016025
32	16	240	120	140	78	100	18	4	18	100	350	22	17,0	016032	016032
40	16	285	142,5	150	88	110	18	4	18	110	350	22	26,0	016040	016040
50	16	290	145	165	102	125	20	4	18	145	500	22	31,0	016050	016050
65	16	310	155	185	122	145	22	4	18	155	500	22	44,0	016065	016065
80	16	350	175	200	138	160	20	8	18	185	600	32	58,0	016080	016080
100	16	380	190	220	158	180	20	8	18	195	600	32	74,0	016100	016100
PN 10-16 Raised face															
15	25	170	85	95	45	65	16	4	14	90	205	16	7,8	025015	025015
20	25	195	97,5	105	58	75	18	4	14	85	300	16	9,8	025020	025020
25	25	220	110	115	68	85	18	4	14	95	350	22	12,5	025025	025025
32	25	240	120	140	78	100	18	4	18	100	350	22	17,0	025032	025032
40	25	285	142,5	150	88	110	18	4	18	110	350	22	26,0	025040	025040
50	25	290	145	165	102	125	20	4	18	145	500	22	31,0	025050	025050
65	25	310	155	185	122	145	22	8	18	155	500	22	44,0	025065	025065
PN 25 Raised face															
15	40	170	85	95	45	65	16	4	14	90	205	16	7,8	040015	040015
20	40	195	97,5	105	58	75	18	4	14	85	300	16	9,8	040020	040020
25	40	220	110	115	68	85	18	4	14	95	350	22	12,5	040025	040025
32	40	240	120	140	78	100	18	4	18	100	350	22	17,0	040032	40032
40	40	285	142,5	150	88	110	18	4	18	110	350	22	26,0	040040	040040
50	40	290	145	165	102	125	20	4	18	145	500	22	31,0	040050	040050
PN 40 Raised face															